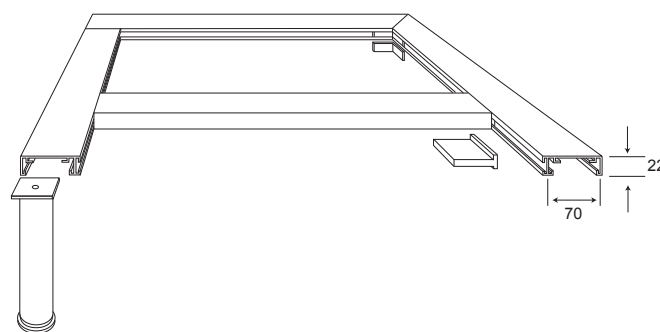
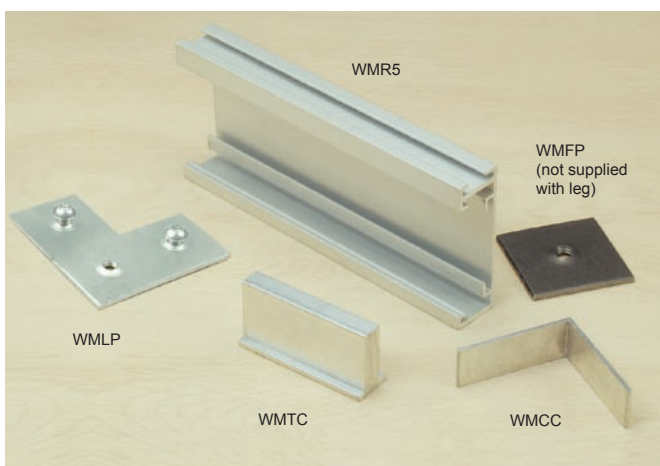


MILLE CABINET LEG SYSTEM

The Mille Cabinet Leg System is ideally suited to a situation where there are multiple units of varying size and the legs can be placed at multiple intervals.



WMLP
ALUMINIUM PLINTH
90° LINKING PLATE

WMR5
ALUMINIUM PLINTH
Natural Anodised
70 x 22mm
5 metre Lengths

WMFP
45mm FIXING PLATE
To fix leg to aluminium
plinth rail

WMCC
ALUMINIUM PLINTH
CORNER CONNECTOR
Joins rail at 90° corner

WMTC
ALUMINIUM PLINTH
T CONNECTOR
Joins cross member rail at 90°



WM160BS
ALUMINIUM LEG
Bright Silver
50 x 160mm
64mm Fixing plate
Height adjustable foot

WM160NA
ALUMINIUM LEG
Natural Anodised
50 x 160mm
64mm Fixing plate
Height adjustable foot



WM160SNA
SQUARE PLINTH LEG
Natural Anodised
32 x 32 x 160mm