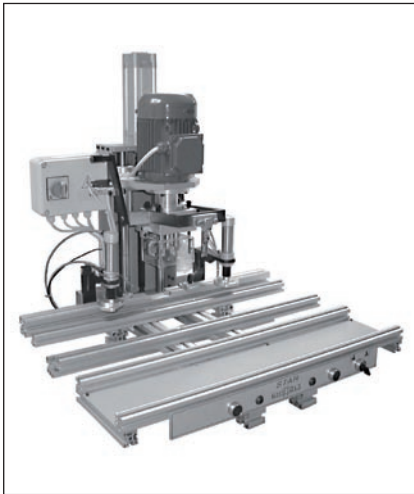


HINGE BORING MACHINES



STAR HINGE BORING MACHINE *

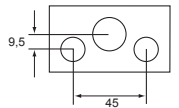
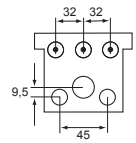
Electropneumatic
Option of two Boring Heads
0,75 kw motor
380 volt, 3 phase motor
Pneumatic Hinge insertion
Net weight 54 kg

A50DELEB45800

STAR HINGE BORING MACHINE with DELTA HEAD

A50STDEB45800

STAR HINGE BORING MACHINE with STANDARD HEAD

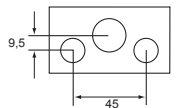


HF - MINI PNEUMATIC HINGE BORING MACHINE *

Electropneumatic
Standard Boring Head
0,56 Kw motor
380 volt, 3 phase motor
Pneumatic Hinge insertion
Net weight 50 kg

A40IND0045800

HF - MINI PNEUMATIC HINGE BORING MACHINE with STANDARD HEAD

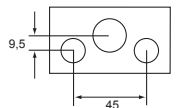


HF - MINI HINGE BORING MACHINE *

Manual
Standard Boring Head
0,56 Kw motor
220 volt, single phase motor
Net weight 45 kg

A30IND0045800

HF - MINI HINGE BORING MACHINE with STANDARD HEAD



* MACHINE SPARES

Spare extension rulers, stops,
5mm, 8mm and 35mm
drill bits available.
Spare Delta Heads for
Star machine also available

• Specifications and design subject to change without notice • All dimensions in millimetres (nominal)

