

# FGV ROTATING PULLOUT BUILT-IN CUPBOARD UNIT



FG550194009000

## ROTATING PULLOUT BUILT-IN CUPBOARD UNIT

Load capacity 60Kg

Suitable for installation

in a 900mm unit

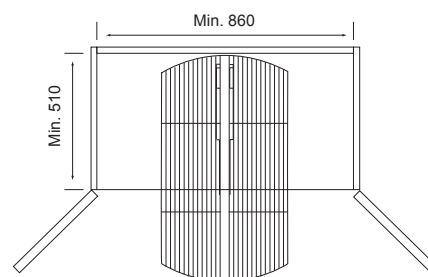
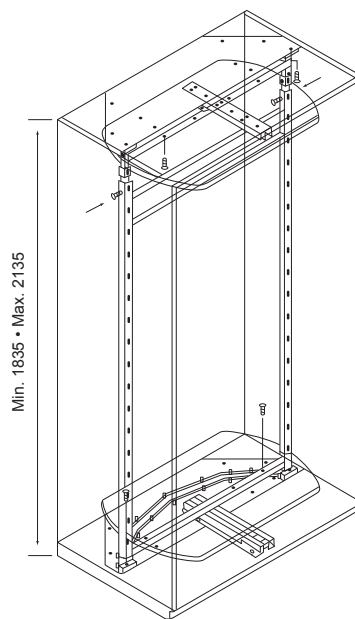
Unit includes 5 chrome baskets

and trouser/tye rack (pictured below)

Height adjustable

FG550194000000

## SPARE BASKET FOR ROTATING BIC UNIT



CHROME BASKET  
WITH PARTITIONS  
1 per Rotating BIC



CHROME BASKET  
LARGE  
1 per Rotating BIC



CHROME BASKET SMALL  
3 per Rotating BIC



CHROME CLOTHES  
HANGER  
1 per Rotating BIC

• Specifications and design subject to change without notice • All dimensions in millimetres (nominal)

