

ECONO PULLOUT PANTRY AND PULLOUT LARDERS

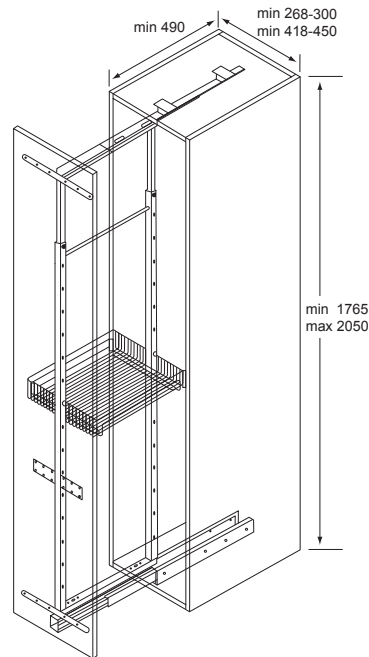


TSW11309
300mm PULLOUT PANTRY
450 x 240 x (1756 - 2050)

Full extension runner
Height adjustable
Included: 6 chrome baskets
Load capacity: 65kg

TSW11339
450mm PULLOUT PANTRY
500 x 395 x (1765 - 2050)

Full extension runner
Height adjustable
Included: 6 chrome baskets
Load capacity: 65kg



CHROME BASKET
for PULLOUT FRAME
6 per Pantry



TSW41008L - Left Opening
TSW41008R - Right Opening
900mm MAGIC CORNER UNIT
530 x 860 x 560
Suitable for installation in a 900mm reach-in unit



TSW80300
300mm PULLOUT LARDER
420 x 240 x 520



TSW80150
150mm PULLOUT LARDER
440 x 100 x 525

• Specifications and design subject to change without notice • All dimensions in millimetres (nominal)

