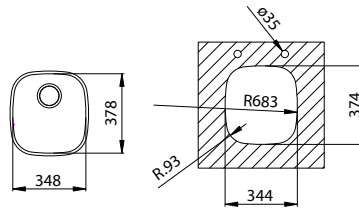
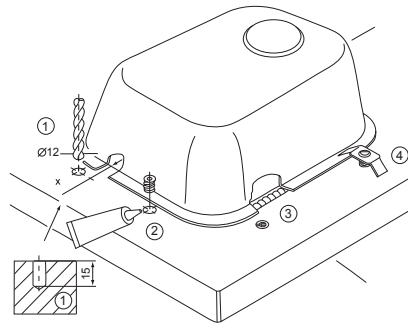


THOR STAINLESS STEEL UNDERMOUNT SINKS

UNDERMOUNT SINKS

FIXING INSTRUCTIONS FOR UNDER COUNTER BOWLS

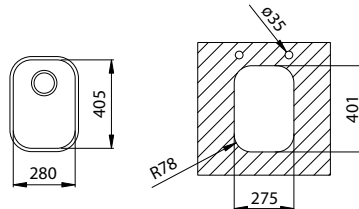
1. Drill holes to fit lugs supplied
2. Glue lugs into hole
3. Apply sealant around edge of bowl
4. Position bowl below worktop and fix with clamps supplied



893437 LARGE UNDERMOUNT BOWL

348 X 378
Bowl Depth: 150

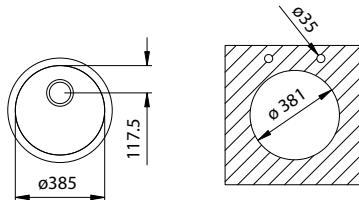
Includes
90mm Basket
Strainer Waste



892840 RECTANGULAR UNDERMOUNT BOWL

405 X 280
Bowl Depth: 180

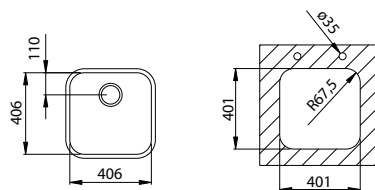
Includes
90mm Basket
Strainer Waste



890390 UNDERMOUNT PREP BOWL

Ø 385
Bowl Depth: 180

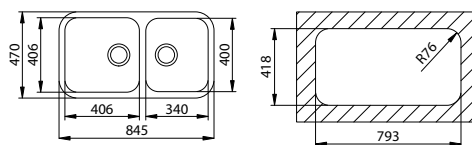
Includes
90mm Basket
Strainer Waste



894040 SQUARE UNDERMOUNT BOWL

406 X 406
Bowl Depth: 180

Includes
90mm Basket
Strainer Waste



898453 DOUBLE UNDERMOUNT BOWL

845 X 470
Bowl 1 Depth: 200
Bowl 2 Depth: 250

Includes
90mm Basket
Strainer Wastes



- Manufactured from grade 304 (18/10) stainless steel, with 18% chrome and 10% nickel content.
- Specifications and design subject to change without notice • All dimensions in millimetres (nominal)

